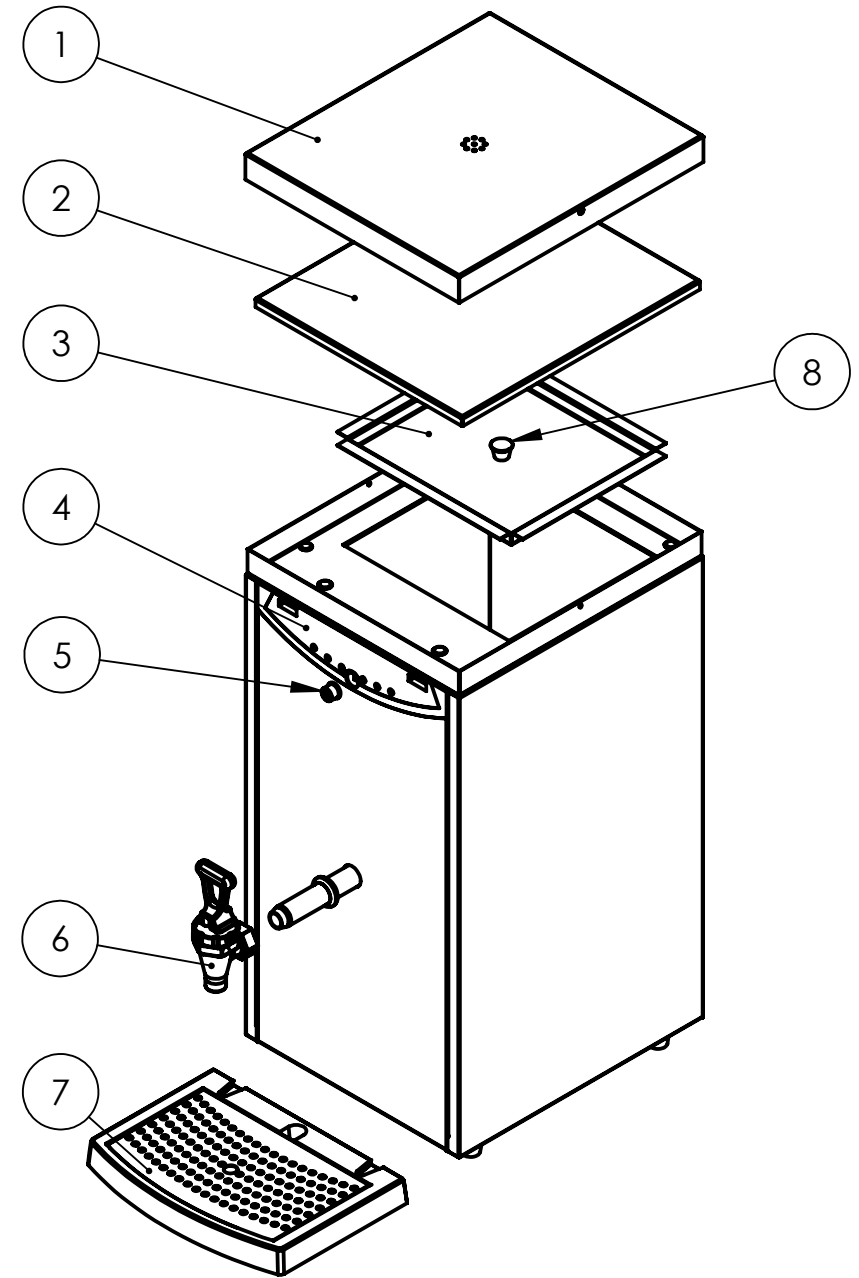
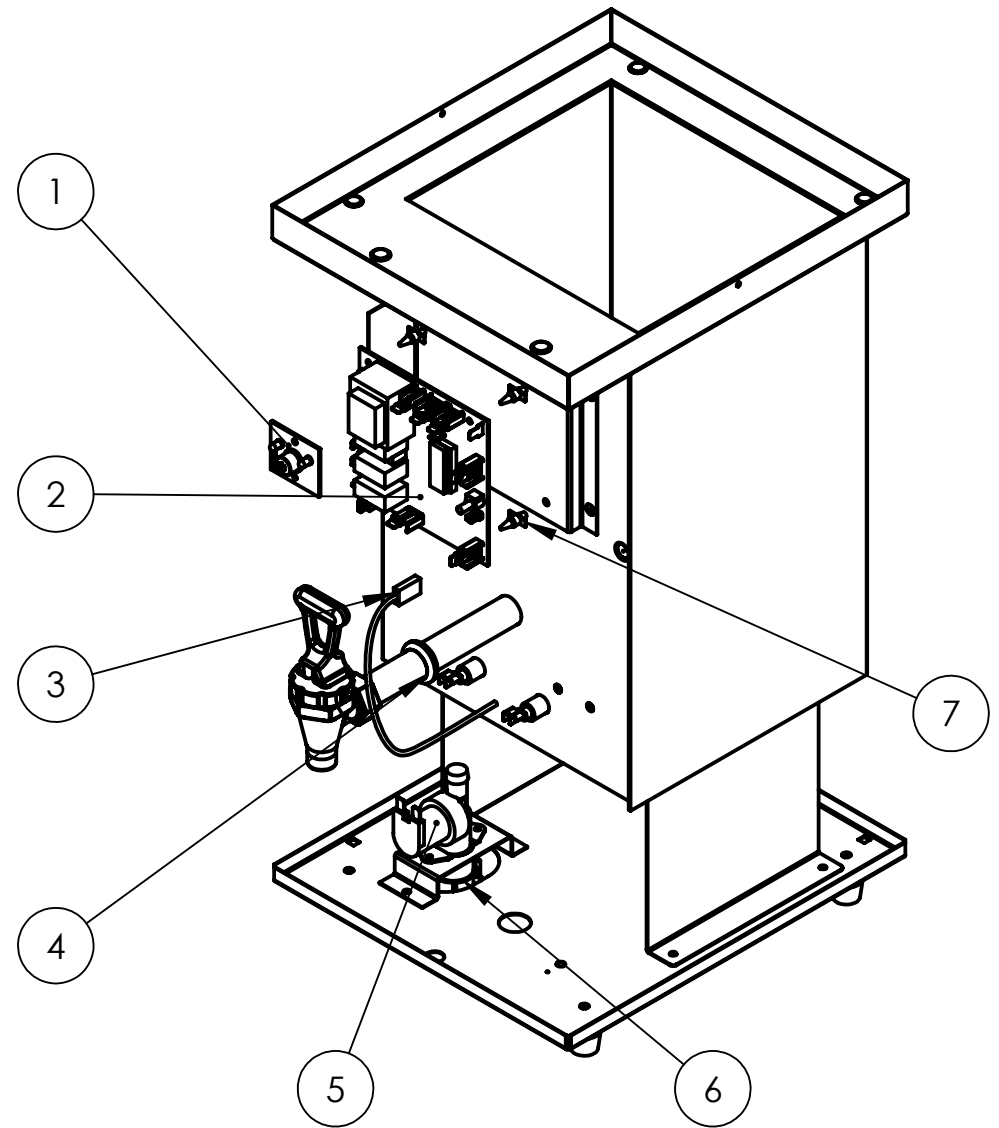


ITEM NO.	PART NUMBER	DESCRIPTION
1	2300421	OUTER LID
2	2300424	MIDDLE LID
3	2300427	INNER LID
4	1801431	PLASTIC FASCIA BLACK
5	1801438	PLASTIC BUTTON
6	2100279	TAP SUB ASSEMBLY
7	2300300	DRIP TRAY COMPLETE
8	1800720	KNOB LID BLACK 15mm



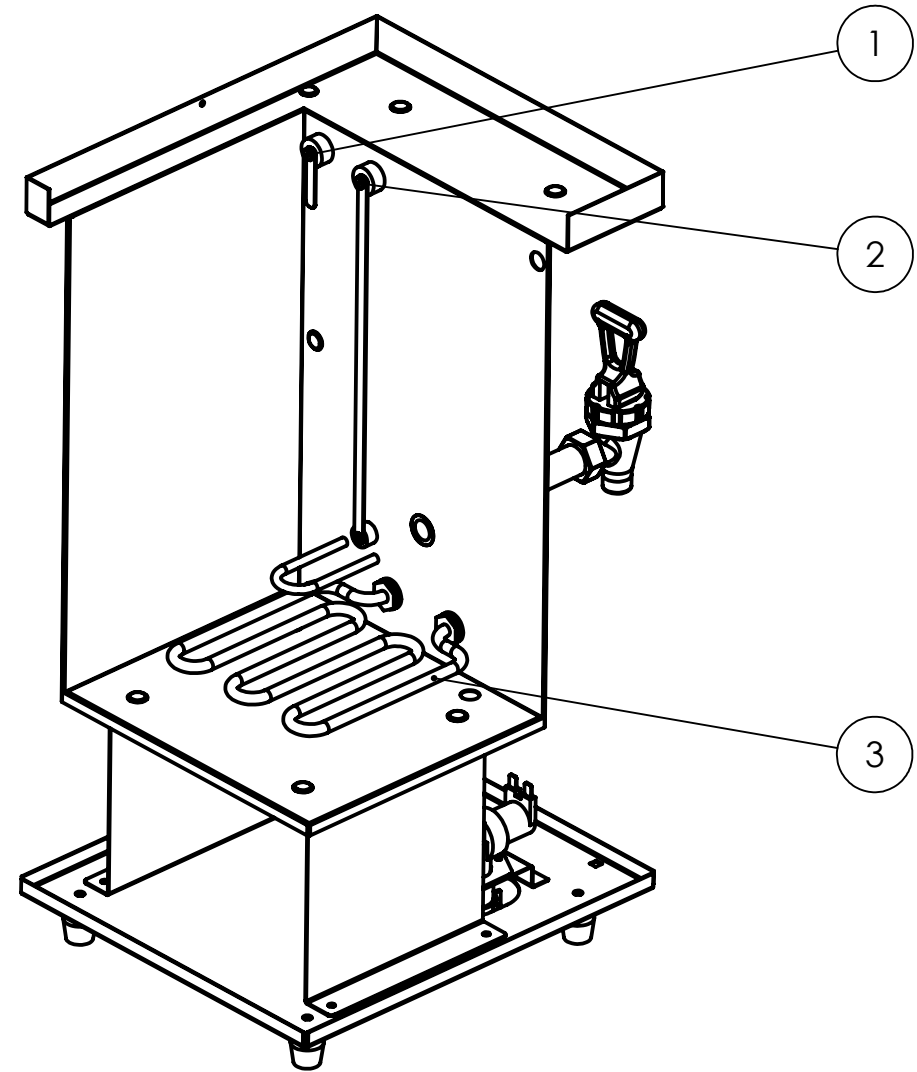
DESCRIPTION:	EXPLODED EXTERNAL	MACHINE NAME:	AQUARIUS 15	DATE	18/07/08	UNLESS OTHERWISE SPECIFIED: DIMENSIONS ARE IN MILLIMETERS	
		MACHINE NUMBER:	1000103	REVISION	A	TOLERANCES: LINEAR: +/-0.2mm	SCALE:1:7

ITEM NO.	PART NUMBER	DESCRIPTION
1	1600327	PCB DISPLAY COMET C/W BUTTON
2	1600315	PCB EZT CONTROLLER
3	1600691	THERMISTOR ASSEMBLY
4	1800370	GROMMET PVC 25 X 1.6 X 21mm
5	1502190	VALVE INLET SOLENOID 240V 3/4"
6	1800690	WATER INLET HOSE WHITE
7	1801230	PILLAR SUPPORT PCB

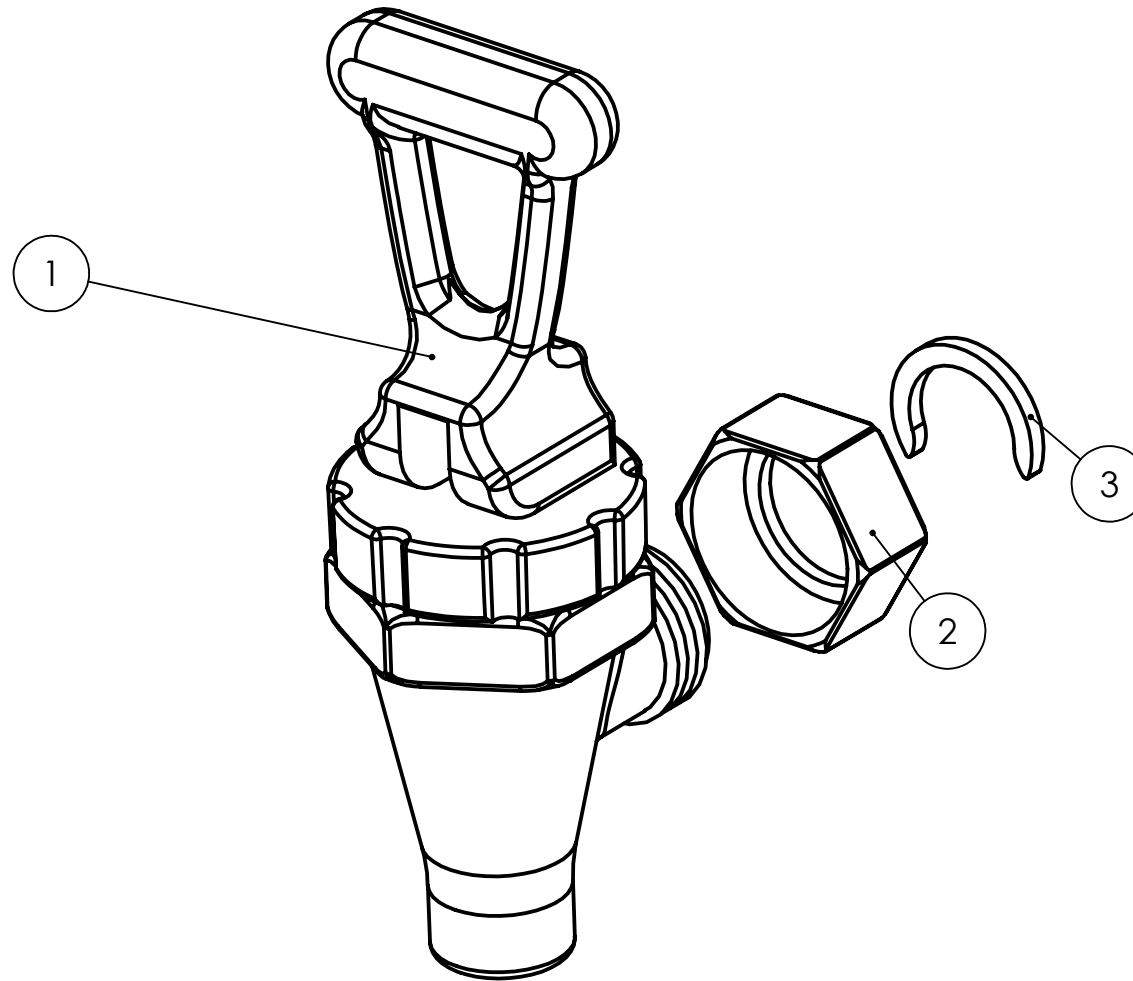


DESCRIPTION:	EXPLODED INTERNAL	MACHINE NAME:	AQUARIUS 15	DATE	18/07/08	UNLESS OTHERWISE SPECIFIED: DIMENSIONS ARE IN MILLIMETERS TOLERANCES: LINEAR: +/-0.2mm    SCALE:1:5	
		MACHINE NUMBER:	1000103	REVISION	A		

ITEM NO.	PART NUMBER	DESCRIPTION
1	2301463	PROBE COMPLETE ASSEMBLY 40mm
2	2300475	PROBE COMPLETE ASSEMBLY 280mm
3	1500985	ELEMENT 2.8kW 230V



DESCRIPTION:	INTERNAL CUTAWAY	MACHINE NAME:	AQUARIUS 15	DATE	18/07/08	UNLESS OTHERWISE SPECIFIED: DIMENSIONS ARE IN MILLIMETERS TOLERANCES: LINEAR: +/-0.2mm    SCALE:1:5	
		MACHINE NUMBER:	1000103	REVISION	A		



TAP SUB ASSEMBLY		
ITEM NO.	PART NUMBER	DESCRIPTION
1	2100155	TAP HANDLE ASSEMBLY
2	1401170	NUT CP 3/4" BSP CHROMED
3	1400550	CIRCLIP FOR SPIGOT

DESCRIPTION:	SUB ASSEMBLIES	MACHINE NAME:	AQUARIUS 15	DATE:	18/07/08	UNLESS OTHERWISE SPECIFIED: DIMENSIONS ARE IN MILLIMETERS TOLERANCES: LINEAR: +/-0.2mm	SCALE:1:1
		MACHINE NUMBER:	1000103	REVISION:	A		